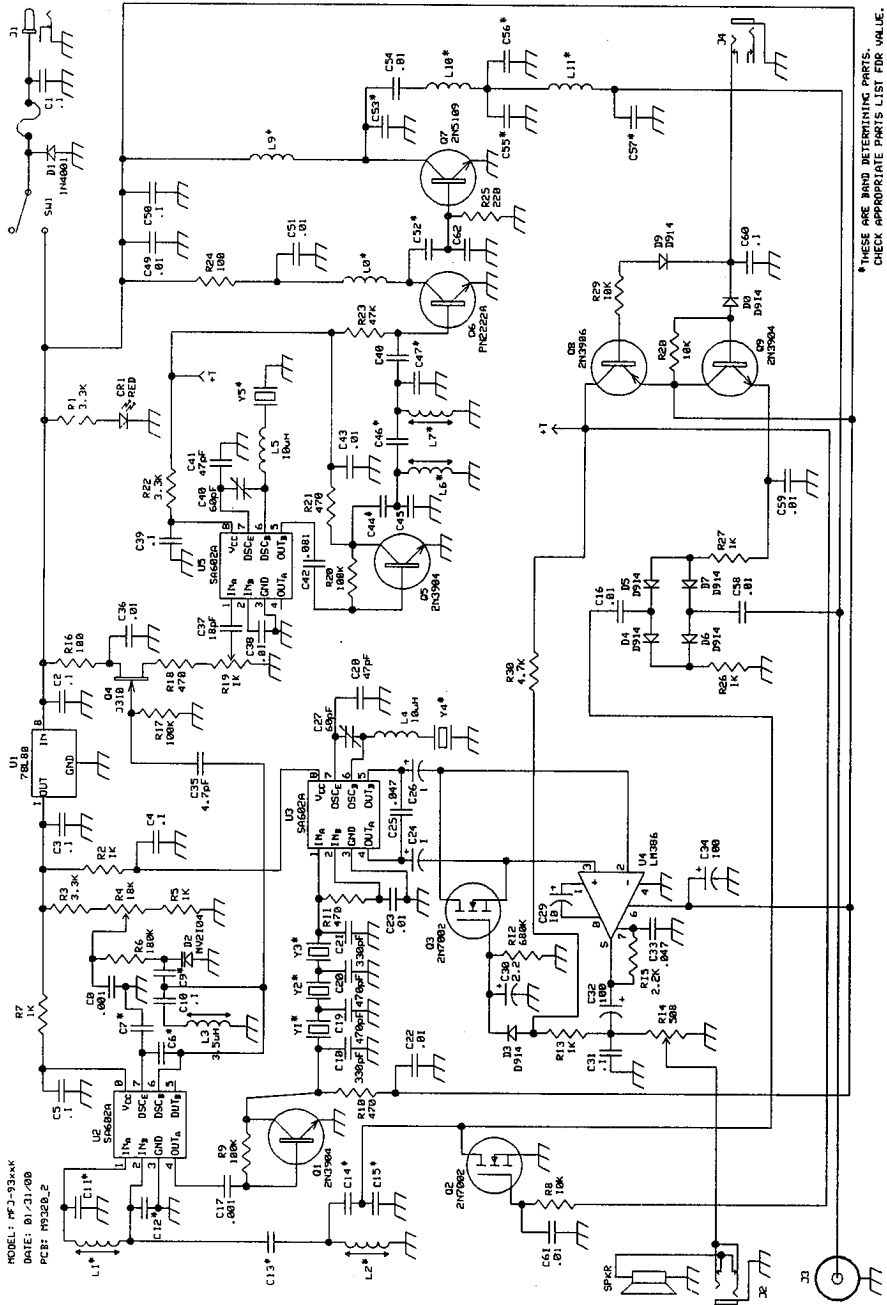


**SCHEMATIC**



MODEL: MFJ-93AKK  
 DATE: 01/31/00  
 PCB: M9320.2

\* THESE ARE BAND DETERMINING PARTS.  
 CHECK APPROPRIATE PARTS LIST FOR VALUE.

**PARTS PLACEMENT**

