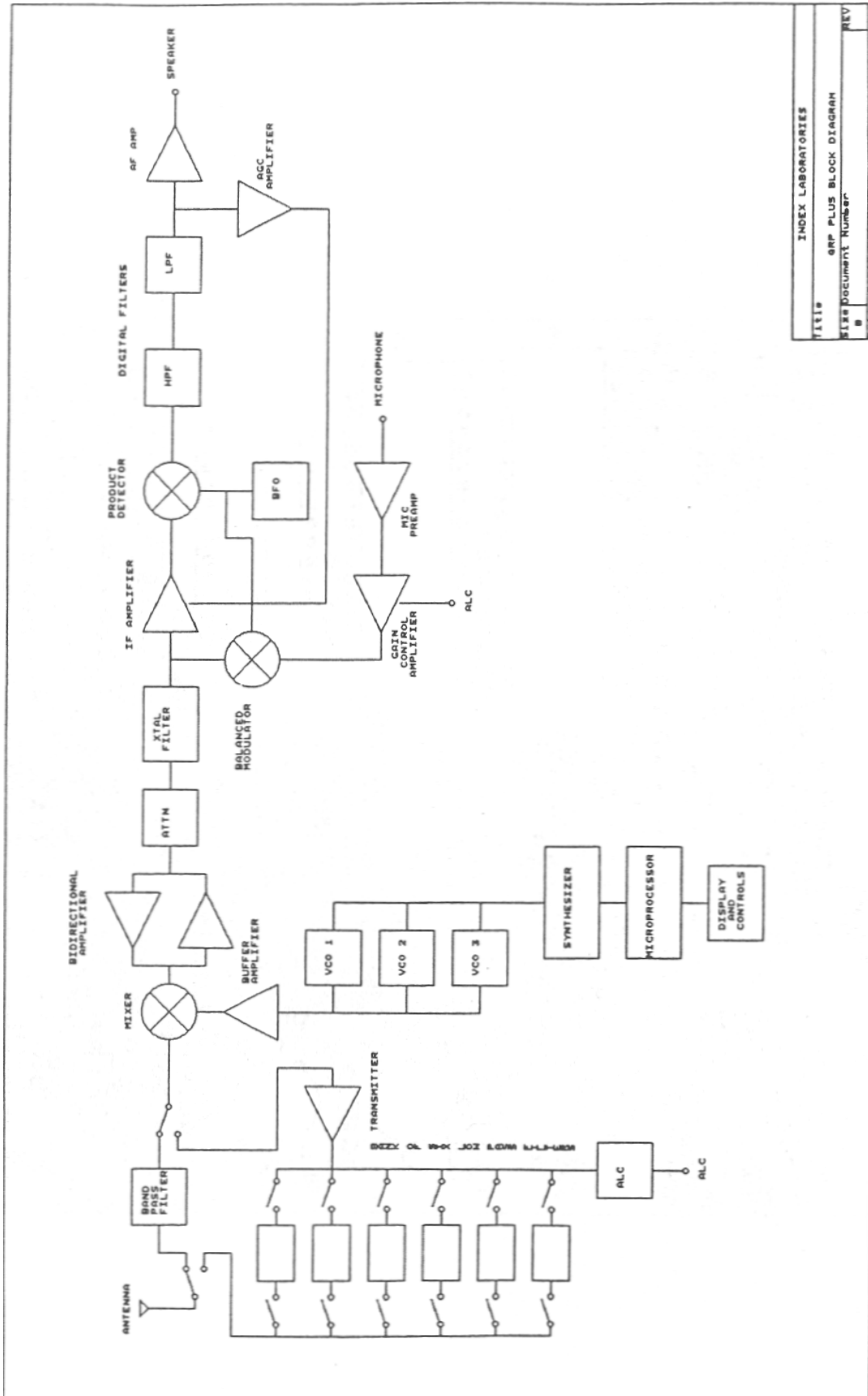


Index Laboratories QRP PLUS Transceiver (Version 1)

**Block Diagram
Schematic Diagrams
PCB Layout Drawings**

NOTE:

This information is supplied for noncommercial use only.



| | |
|-------|--------------------------|
| TITLE | INDEX LABORATORIES |
| SIZE | GRP PLUS BLOCK DIAGRAM |
| REV | Document Number |
| | DATE: September 28, 1993 |

FIGURE 8: BLOCK DIAGRAM

TOP SILK

410-10562A

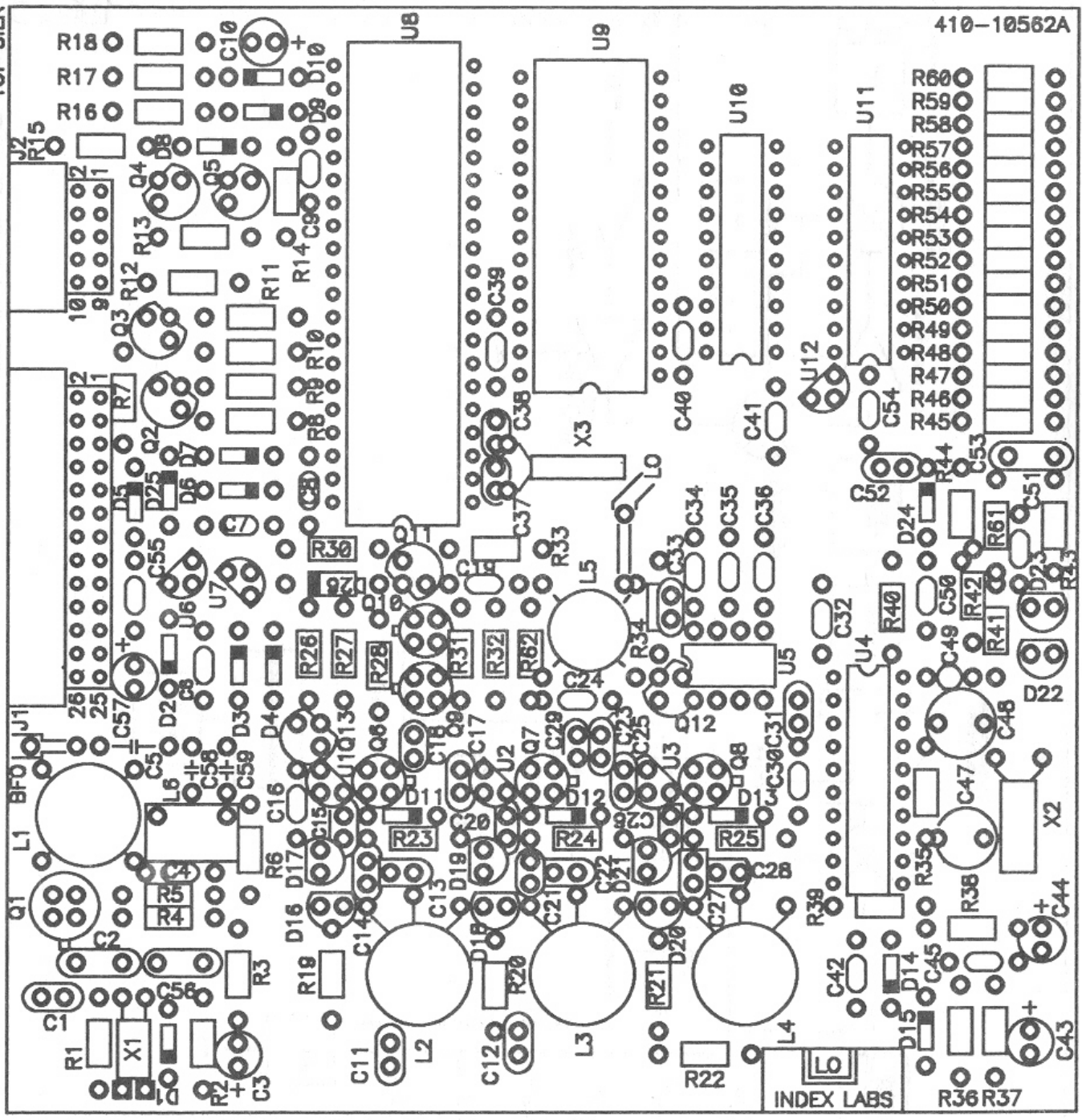
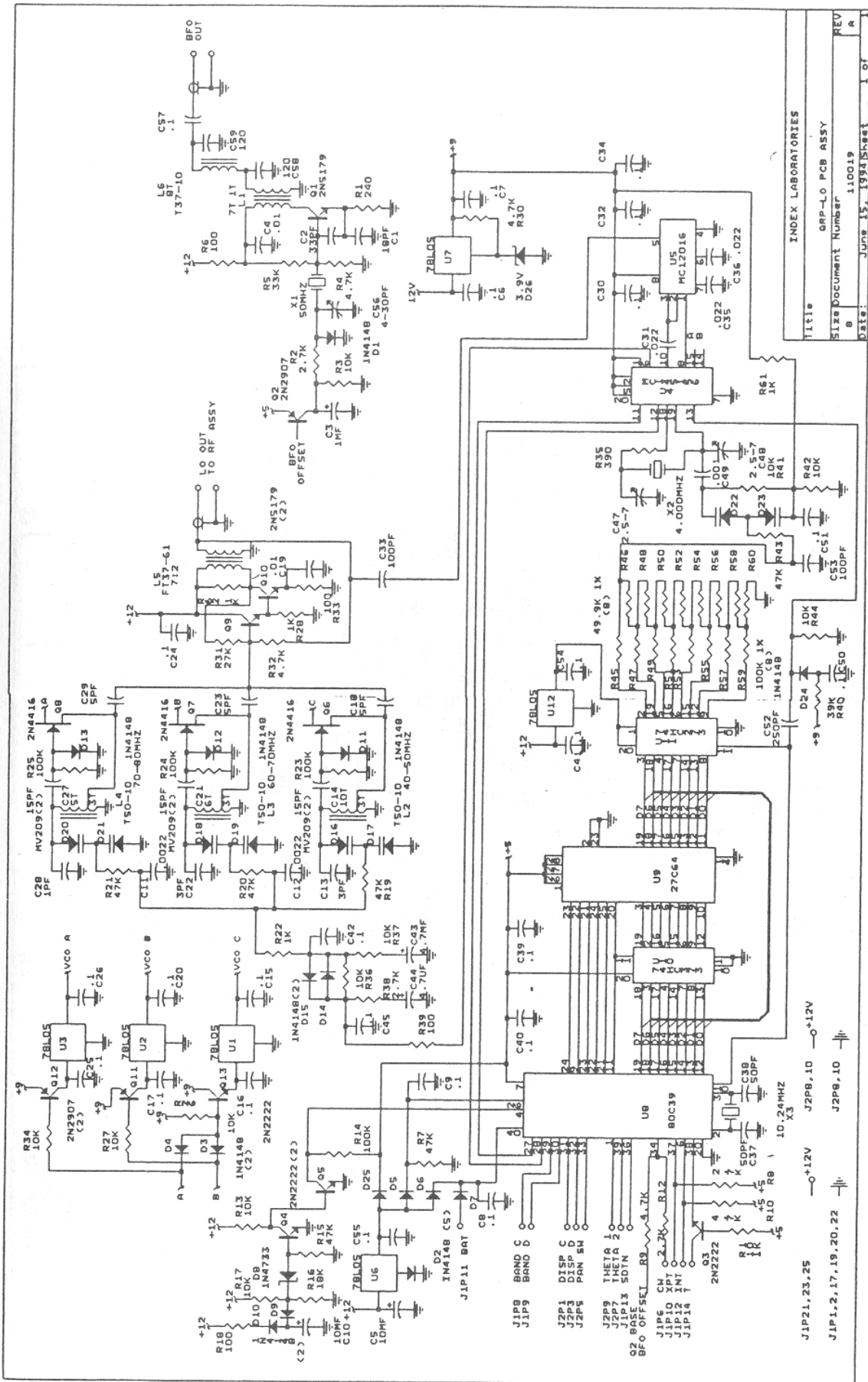


FIGURE 9: QRP-LO PCB ASSEMBLY



| |
|------------------------|
| INDEX LABORATORIES |
| ORP-LO PCB ASSY |
| Document Number 110019 |
| REV A |
| Date: June 15, 1994 |

FIGURE 10: QRP-LO SCHEMATIC DIAGRAM

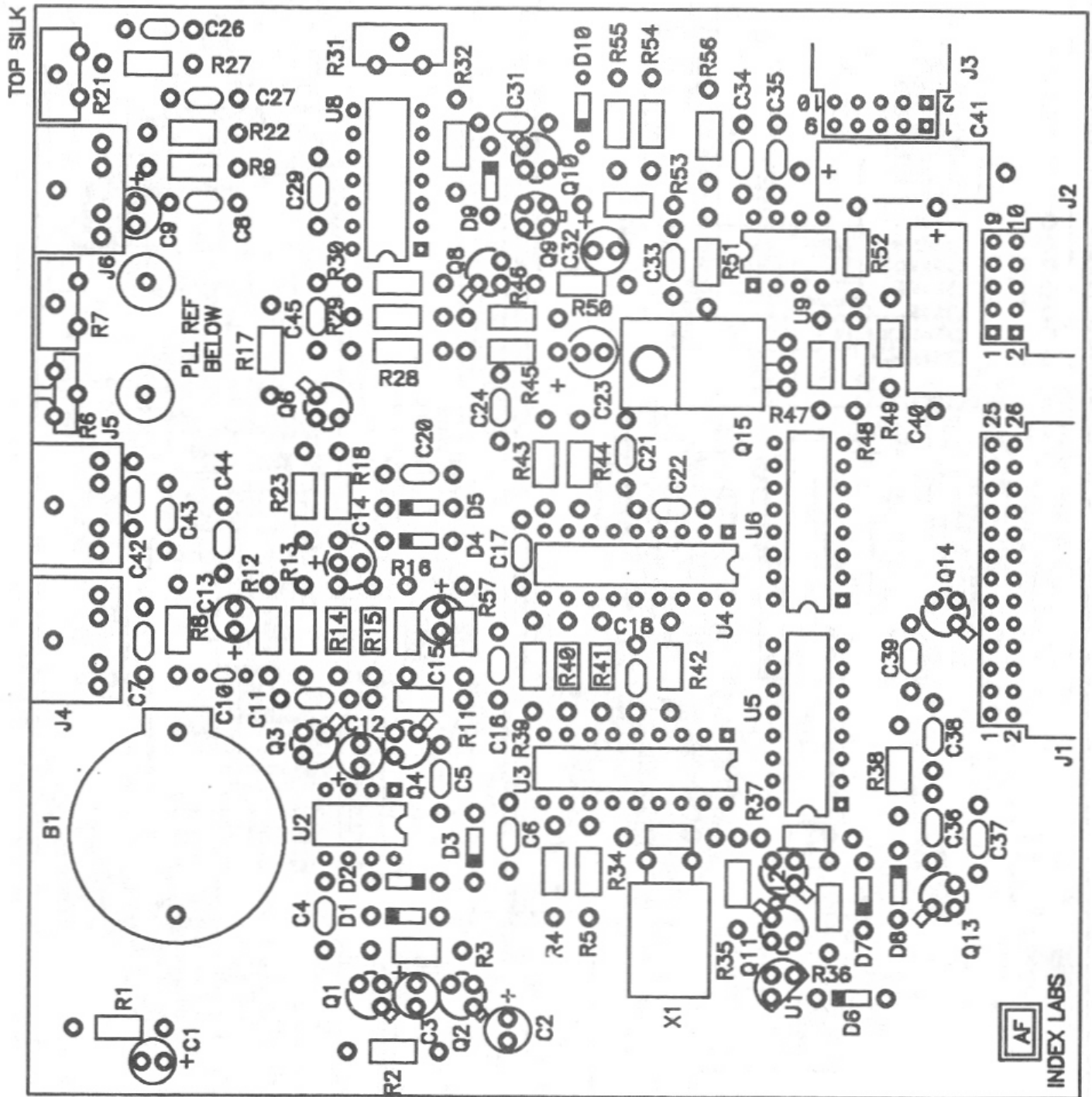
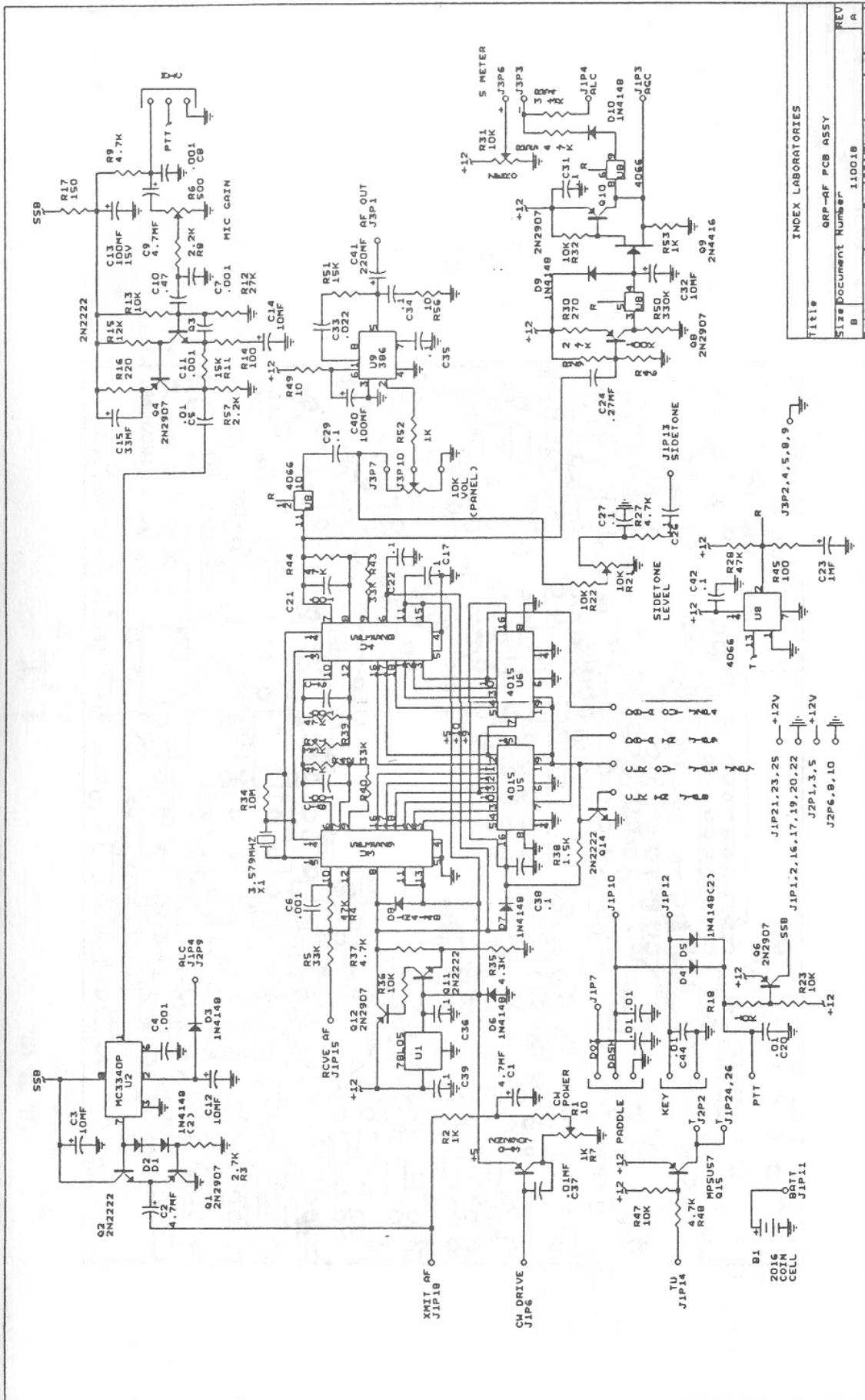


FIGURE 11: QRP-AF PCB ASSEMBLY



| | |
|----------------------|---------------------------|
| Title | INDEX LABORATORIES |
| Size Document Number | QRP-AF PCB ASSY |
| REV | 110018 |
| Date: | June 9, 1994 Sheet 1 of 1 |

FIGURE 12: QRP-AF SCHEMATIC DIAGRAM

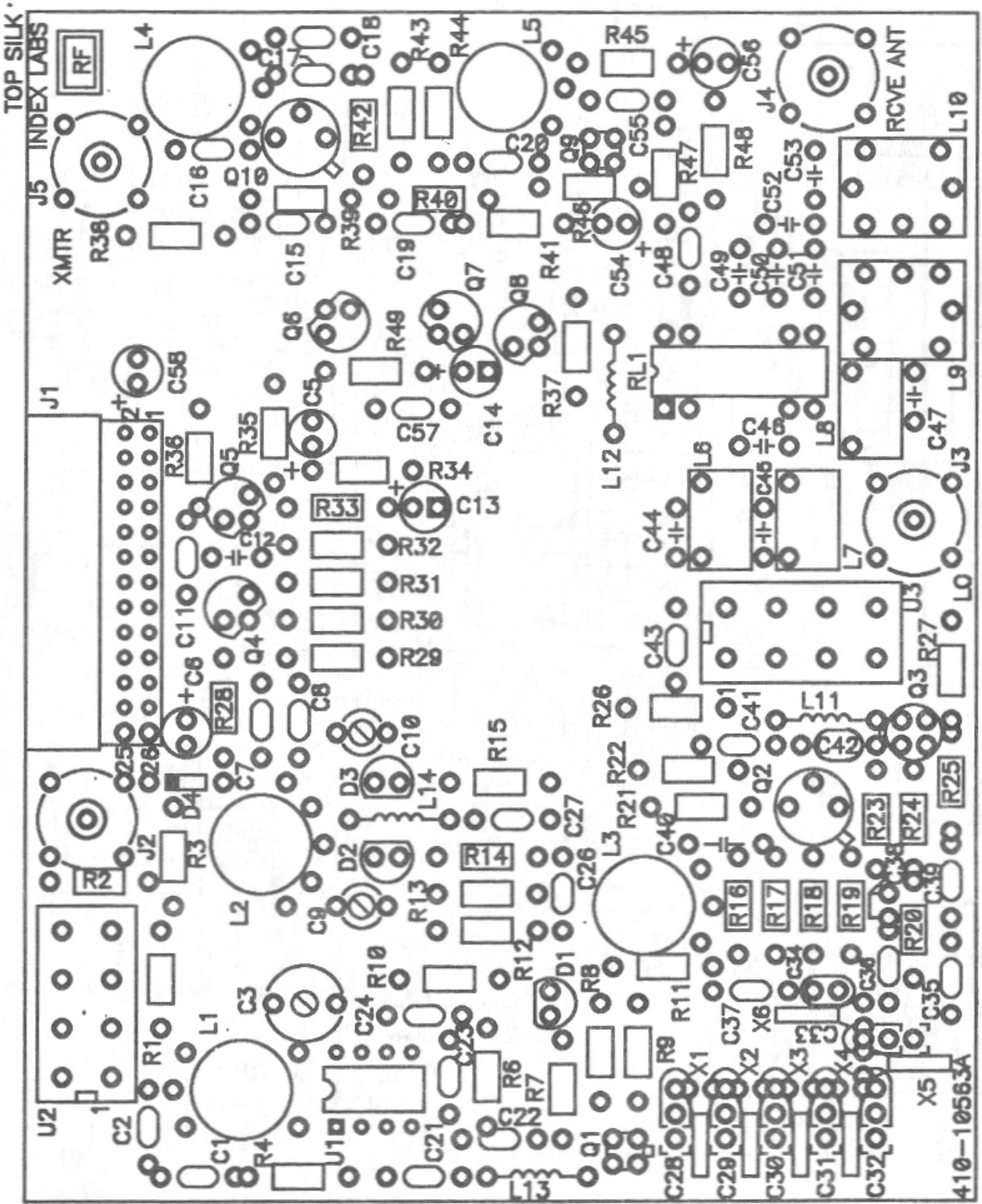


FIGURE 13: QRP-RF PCB ASSEMBLY

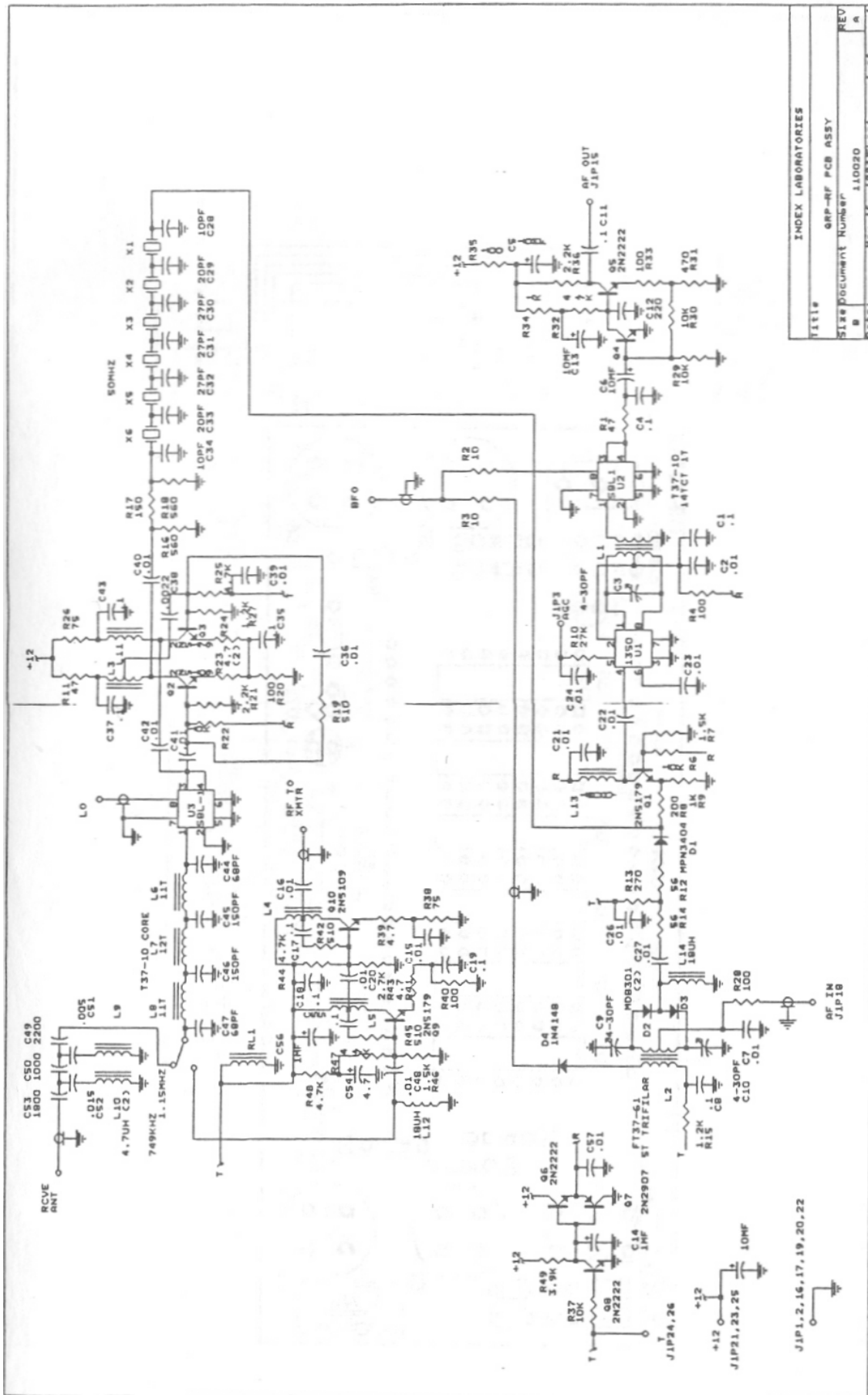


FIGURE 14: QRP-RF SCHEMATIC DIAGRAM

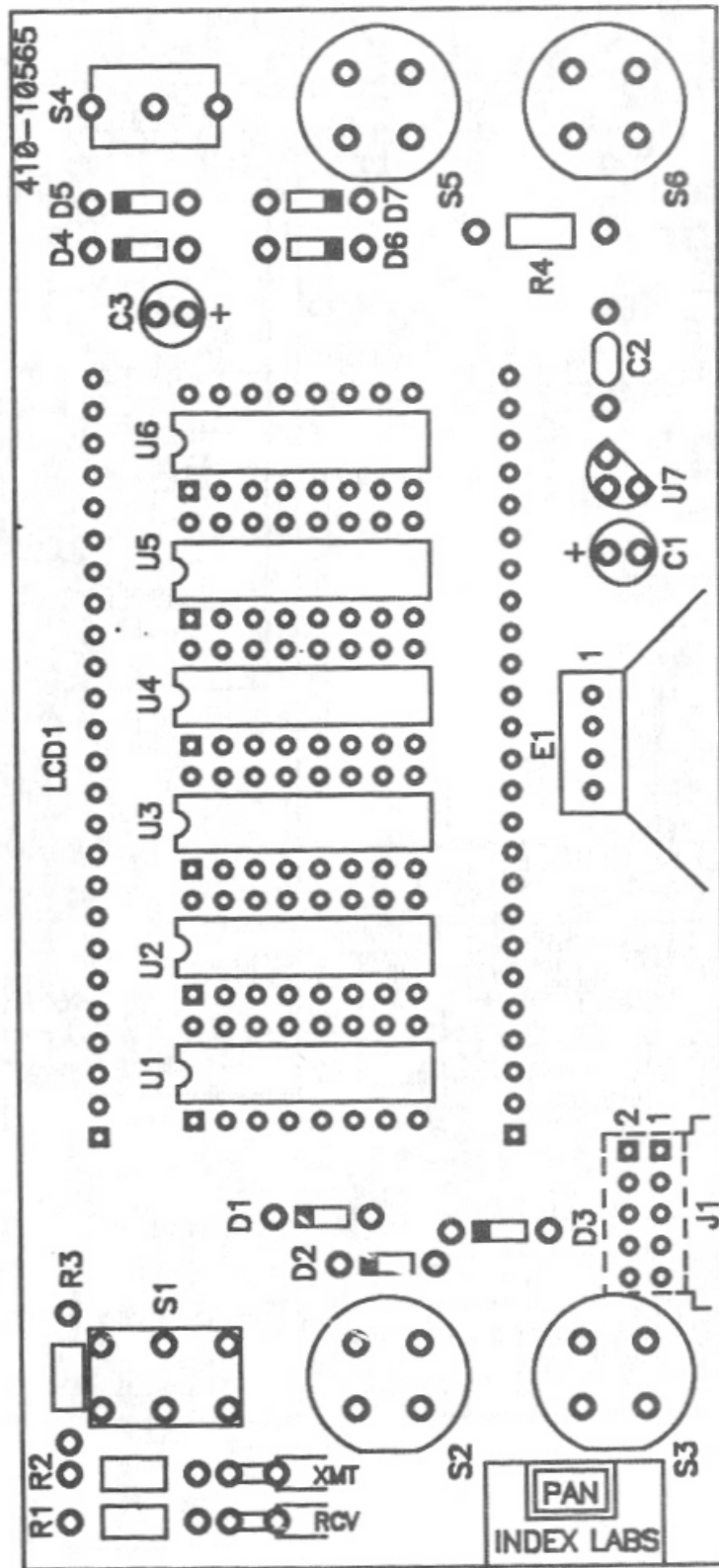
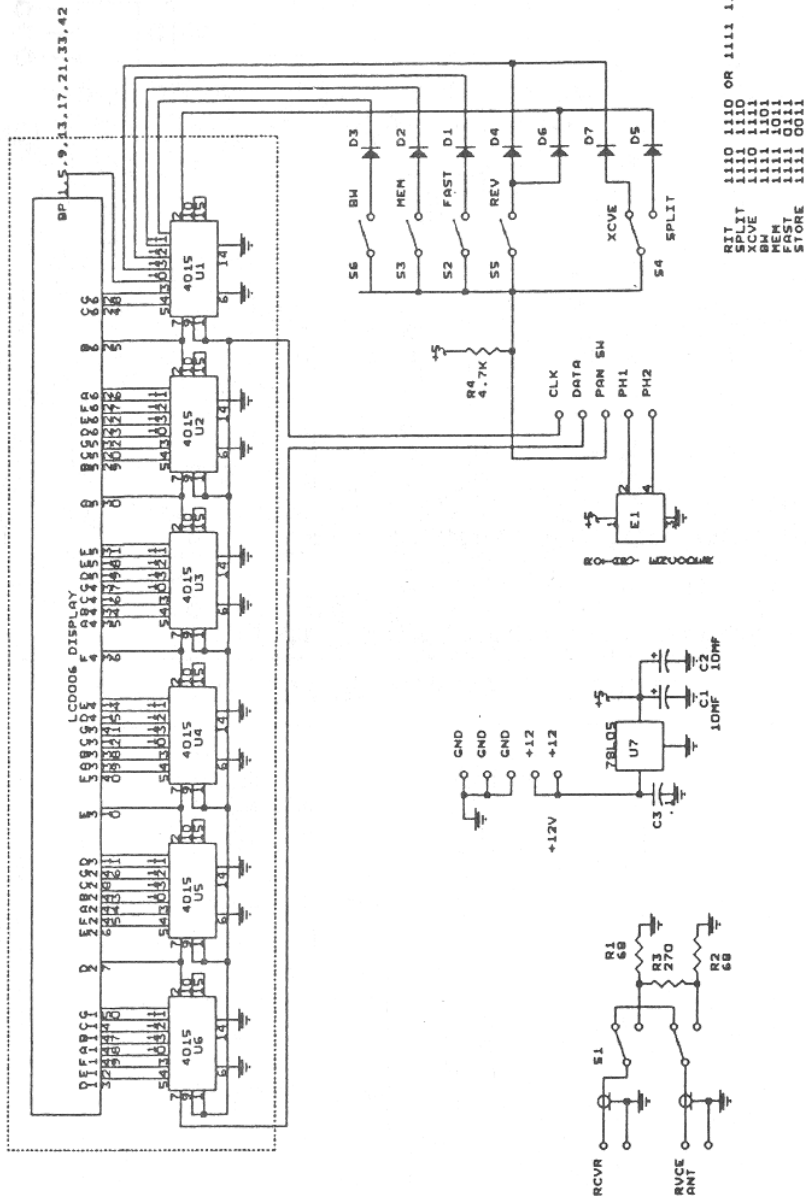


FIGURE 15: QRP-PANEL PCB ASSEMBLY



1110 1110 OR 1111 1111
 1110 1110
 1110 1111
 1111 1101
 1111 1011
 1111 0011
 1111 0011
 STORE

| | |
|--------------------|------------------------------|
| INDEX LABORATORIES | |
| Title | QRP-PLUS DISPLAY ASSY |
| Size | Document Number 1.10022 |
| REV | MEM |
| Date | August 31, 1991 Sheet 1 of 1 |

FIGURE 16: QRP-PANEL SCHEMATIC DIAGRAM

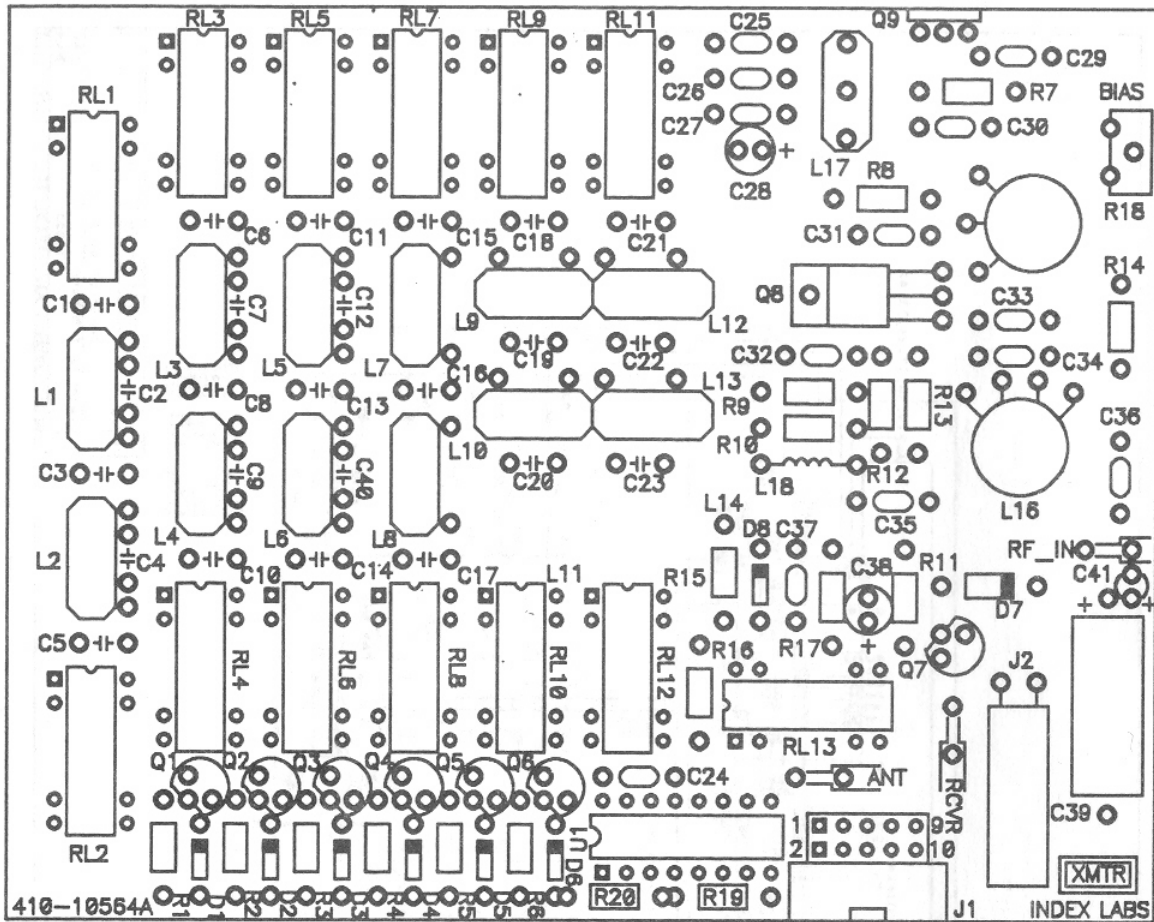


FIGURE 17: QRP-XMTR PCB ASSEMBLY

