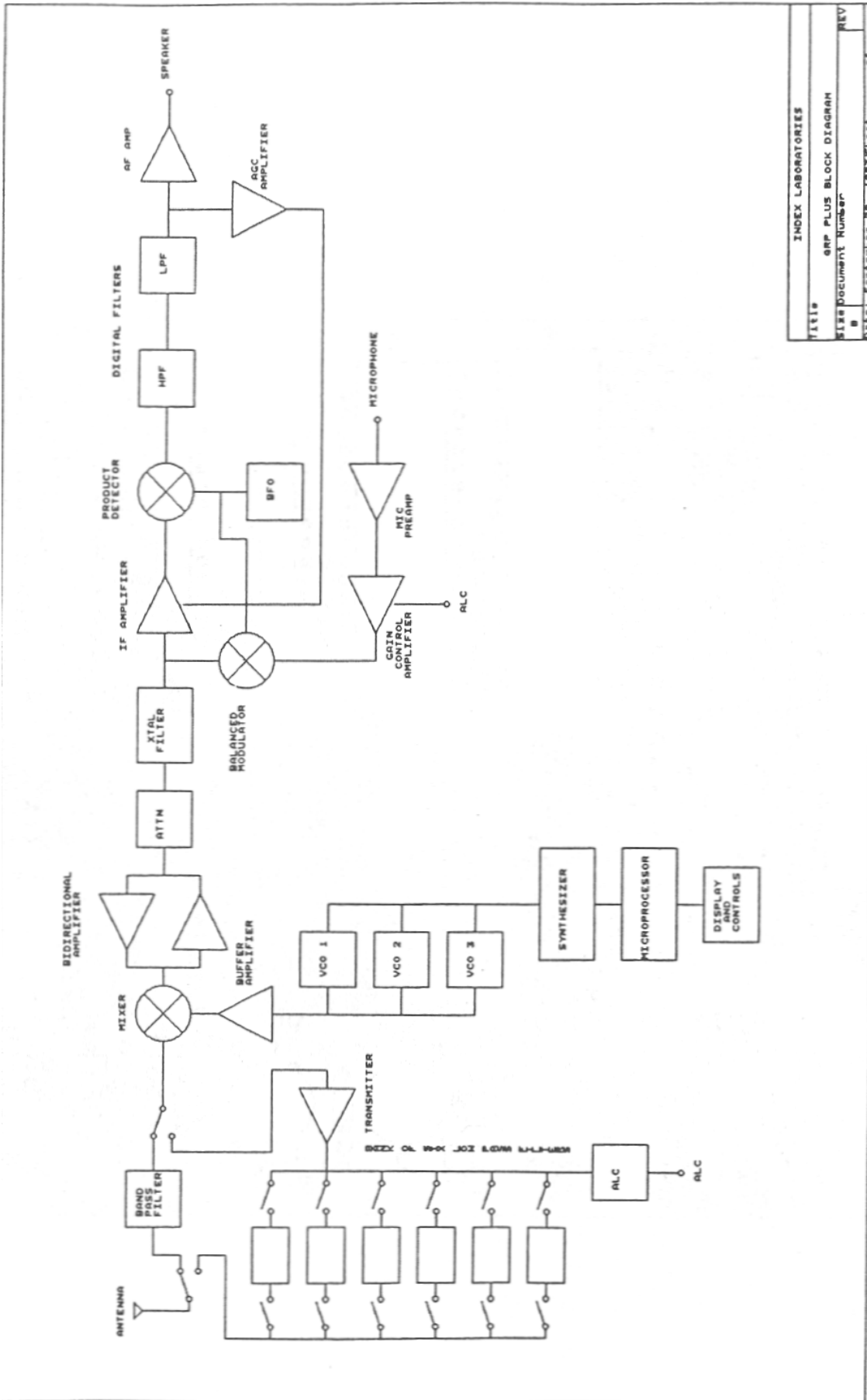


Index Laboratories QRP PLUS Transceiver (Version 2)

**Block Diagram
Schematic Diagrams
PCB Layout Drawings**

NOTE:

This information is supplied for noncommercial use only.



TITLE	INDEX LABORATORIES
SIZE	GRP PLUS BLOCK DIAGRAM
DOCUMENT NUMBER	#
REV	REV
DATE	SEPTEMBER 28, 1993
SHEET	81

FIGURE 8: BLOCK DIAGRAM

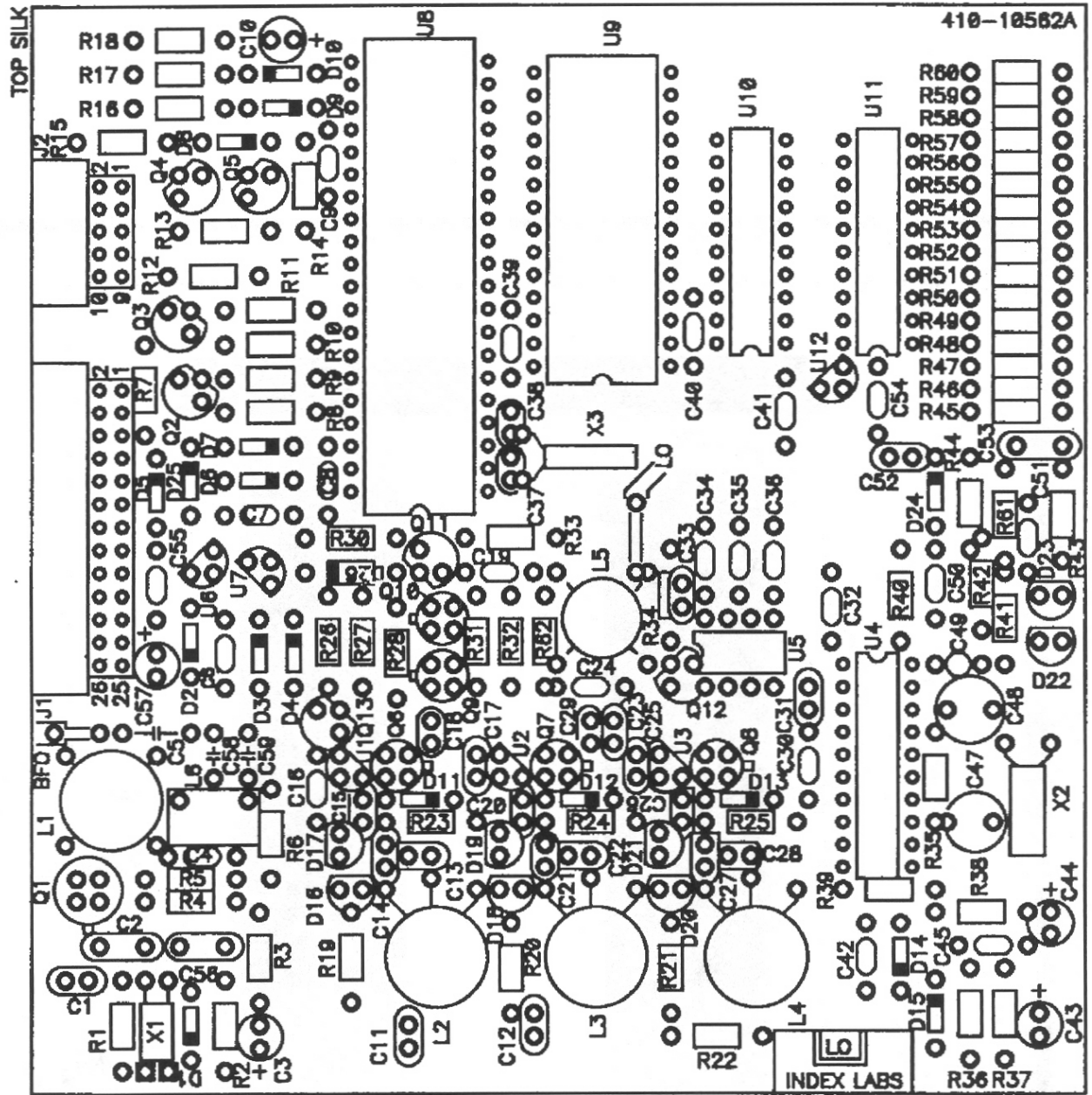


FIGURE 9: QRP-LO PCB ASSEMBLY

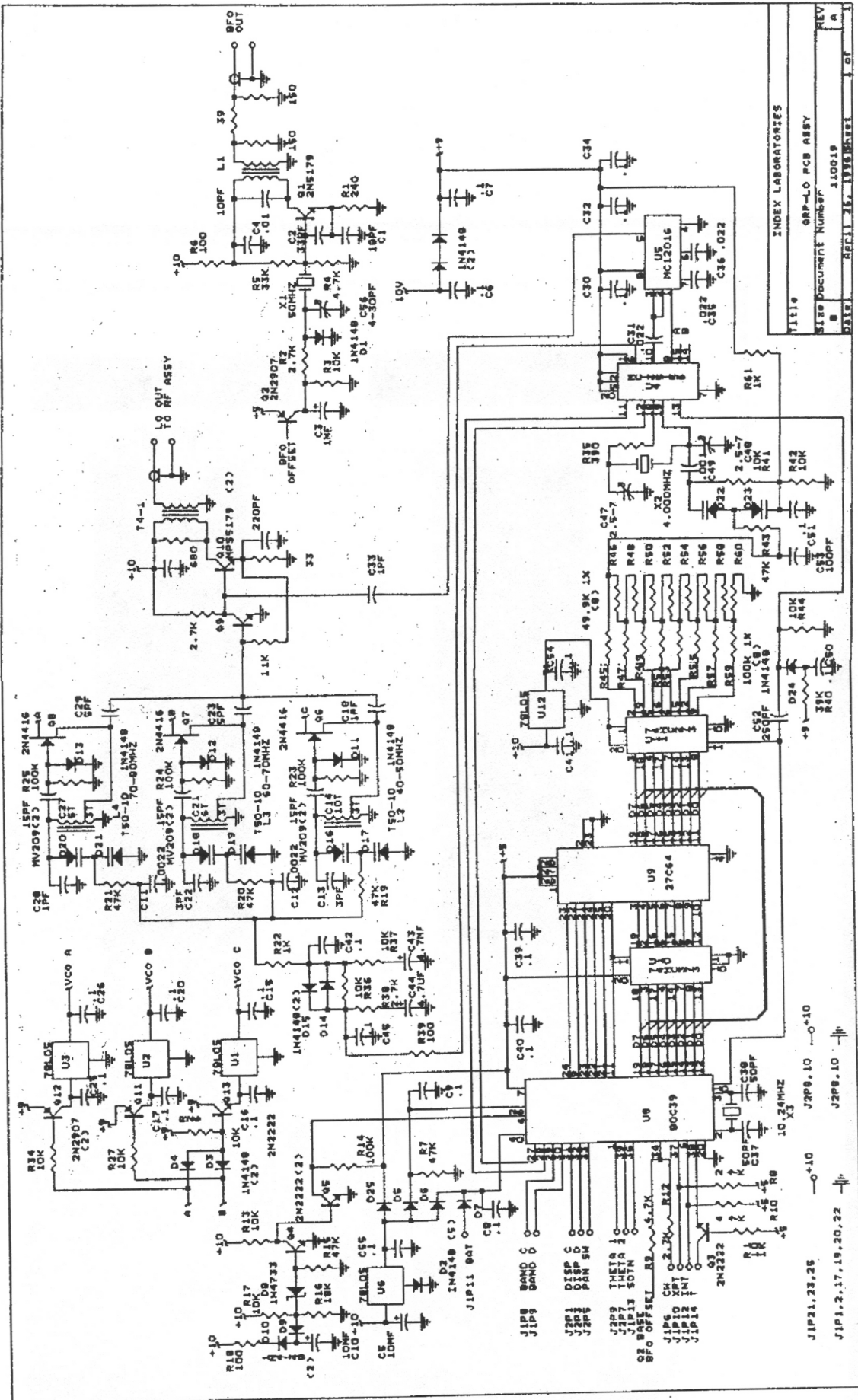


FIGURE 10: QRP-LO SCHEMATIC DIAGRAM

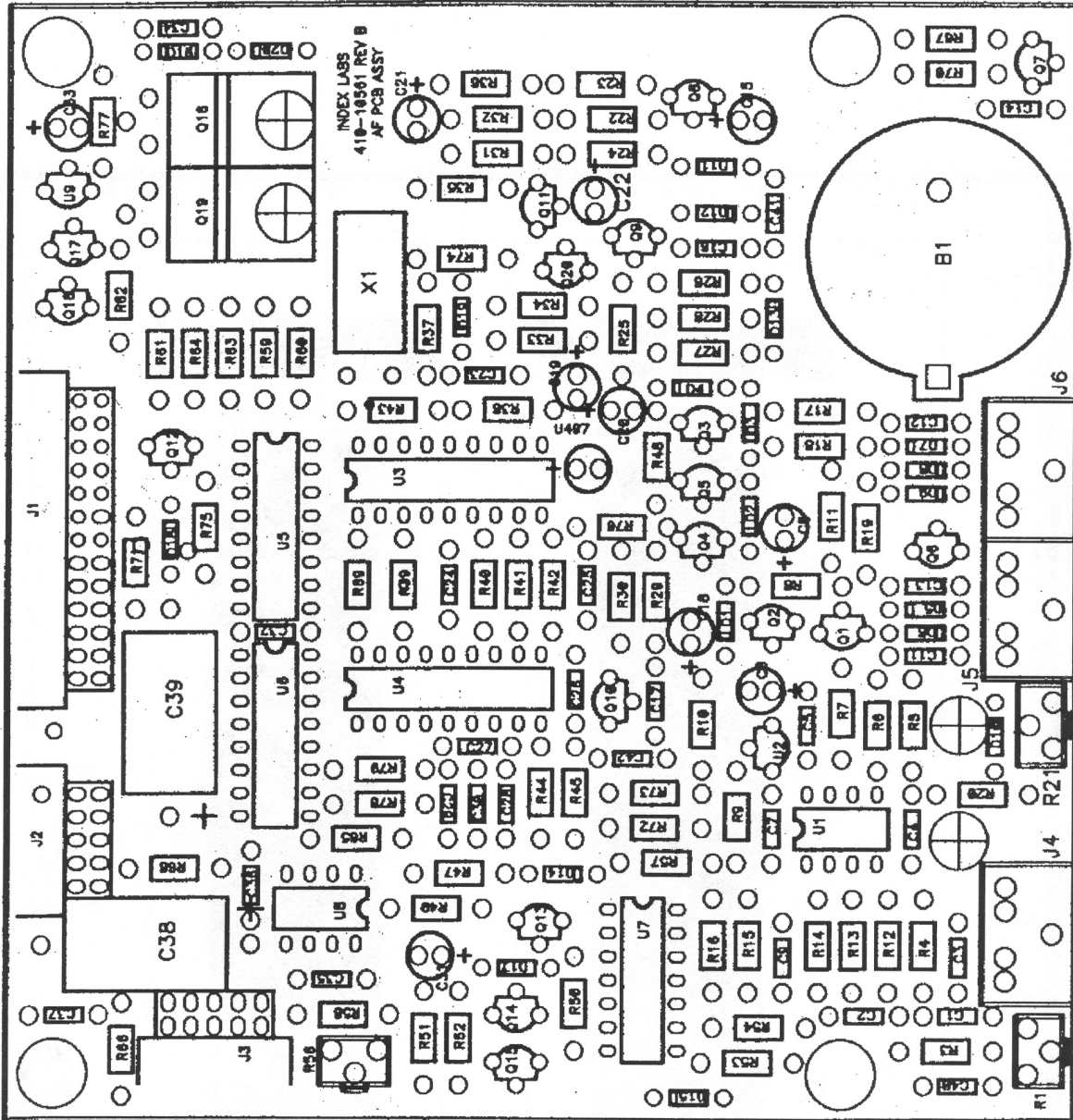


FIGURE 11: QRP-AF PCB ASSEMBLY

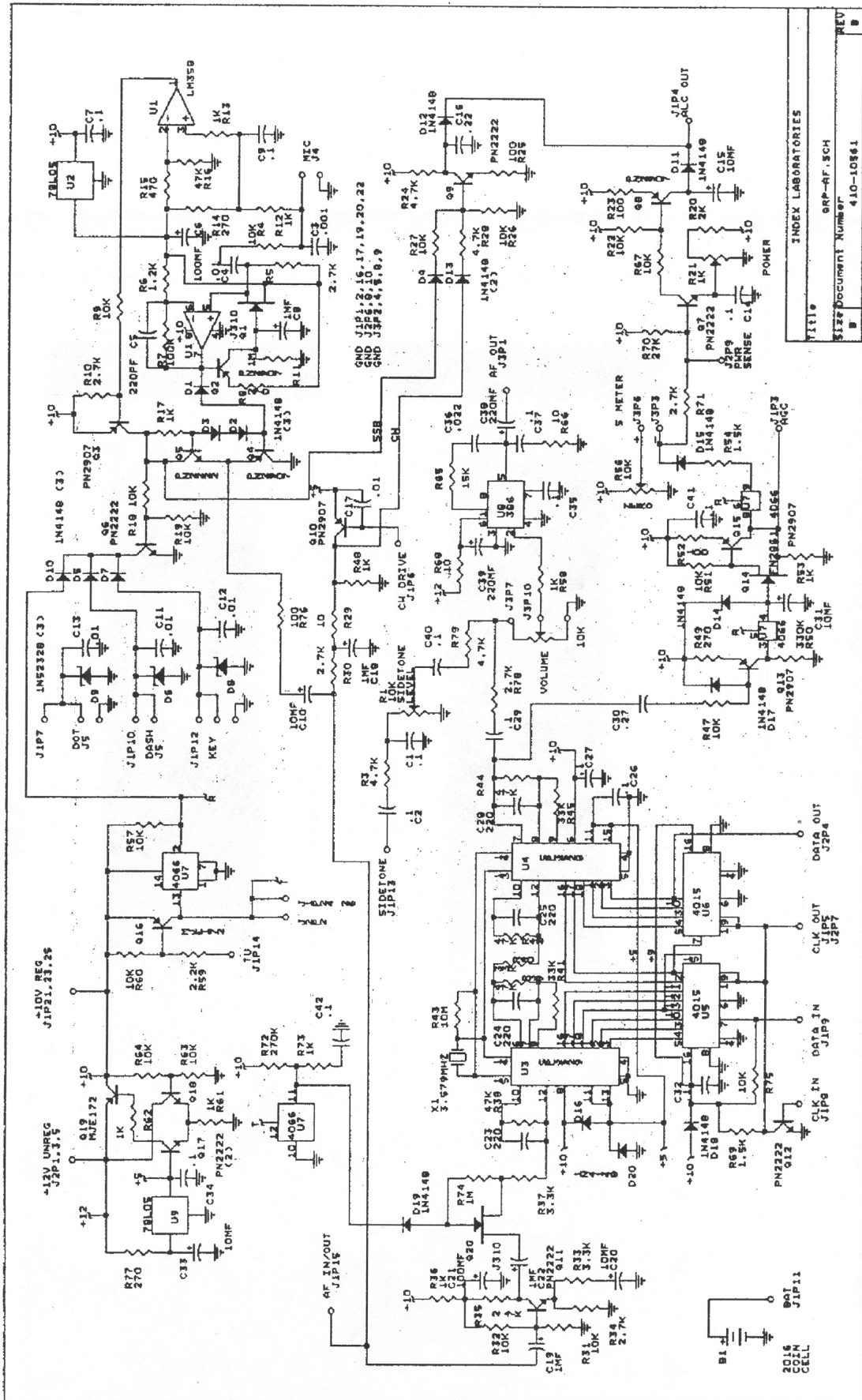


FIGURE 12: QRP-AF SCHEMATIC DIAGRAM

REV	B	410-10841	QRP-AF SCH
DATE	April 25, 1982	Sheet 1 of 1	INDEX LABORATORIES

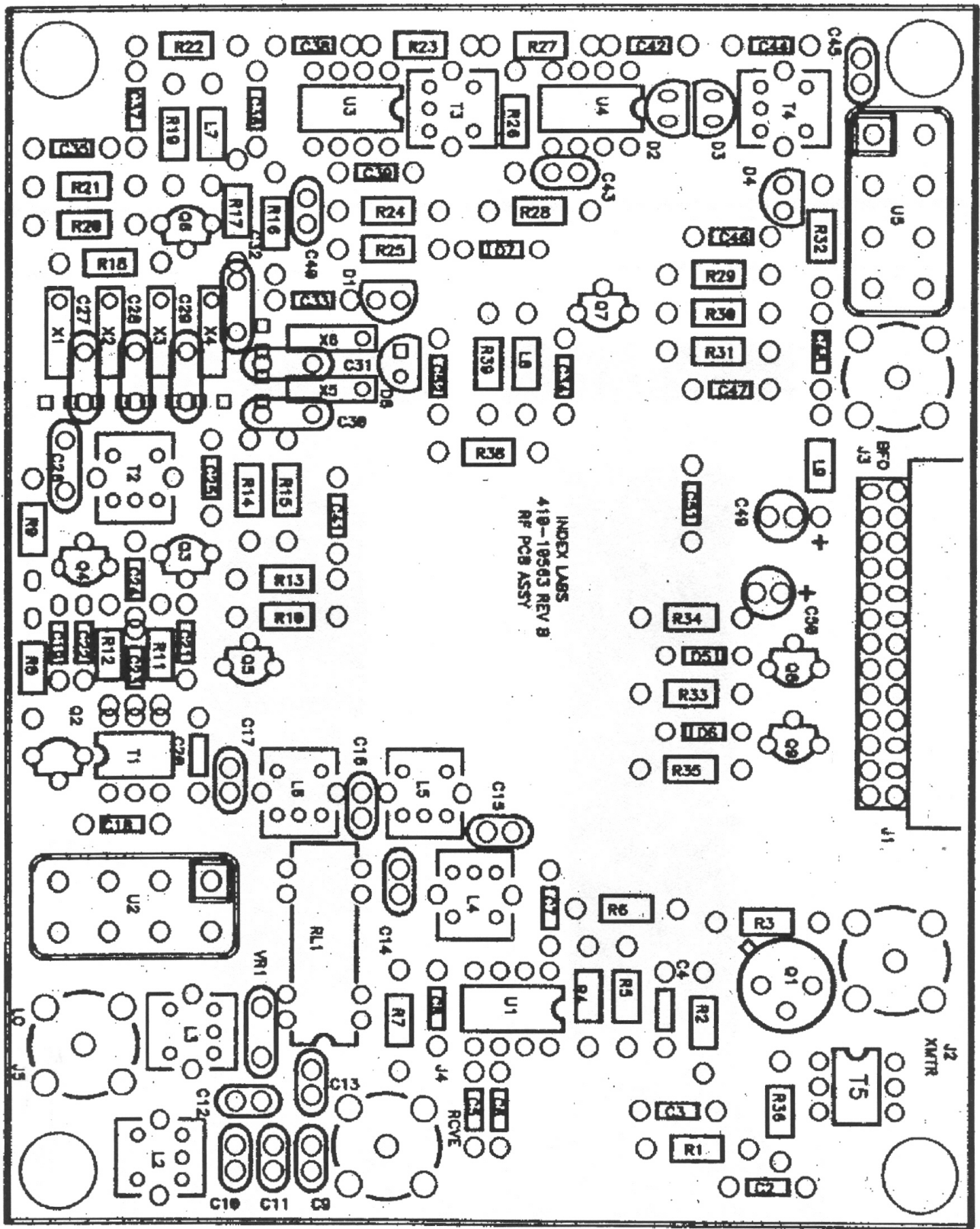
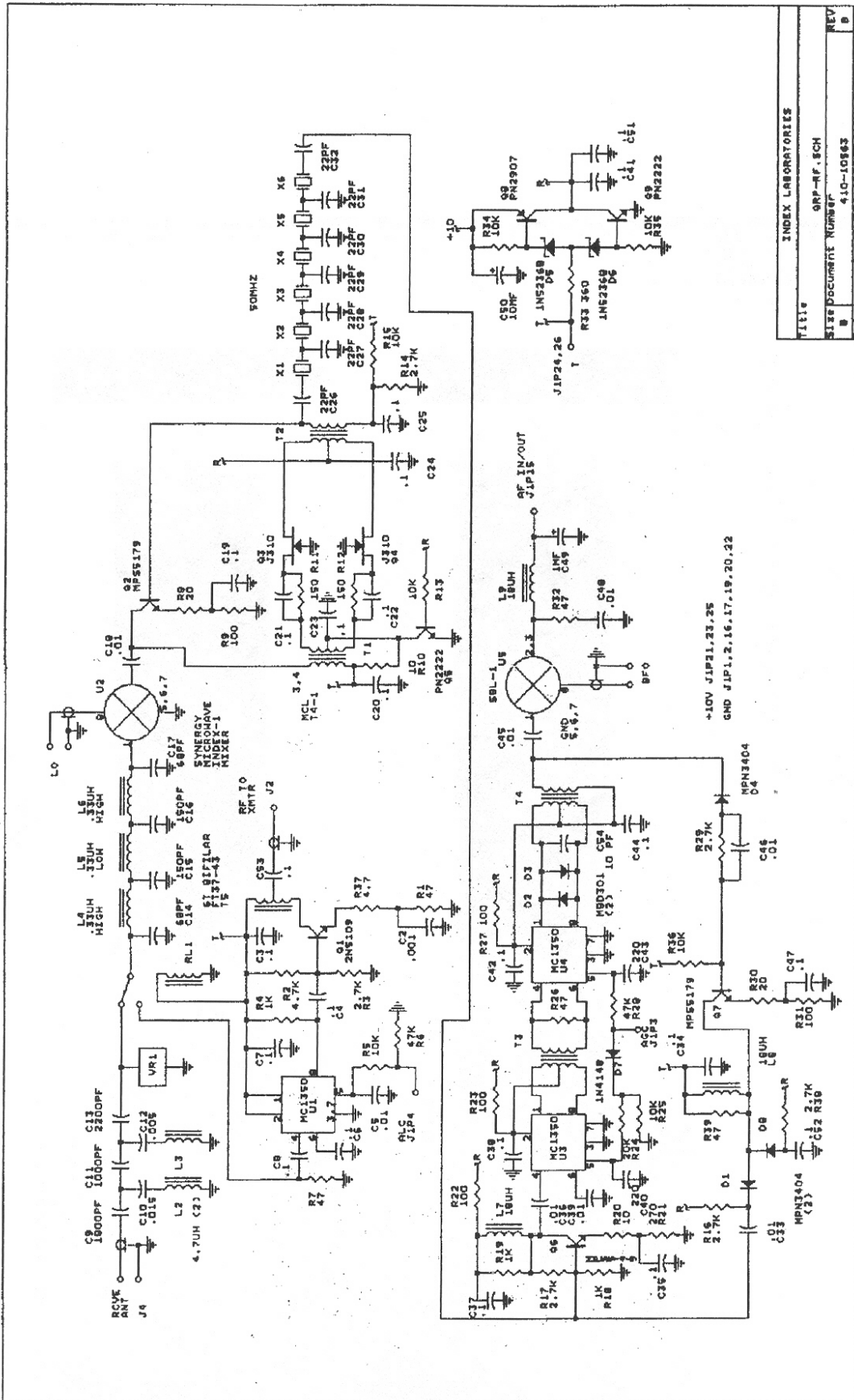


FIGURE 13: QRP-RF PCB ASSEMBLY



TITLE	INDEX LABORATORIES
SIZE	8 1/2 X 11
DATE	APRIL 25, 1958
REV	B
SIZE DOCUMENT NUMBER	410-10683
GRP-RF-SCH	

FIGURE 14: QRP-RF SCHEMATIC DIAGRAM

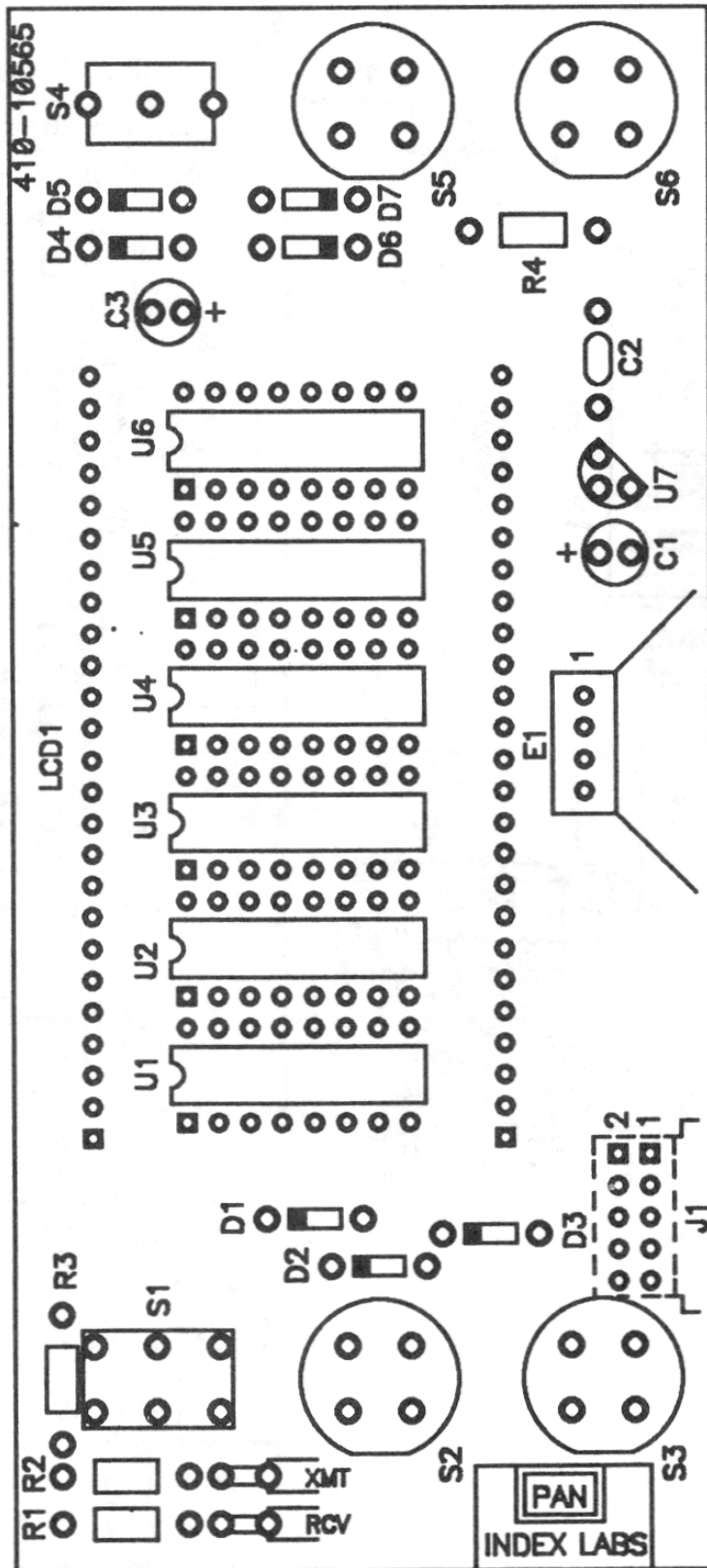
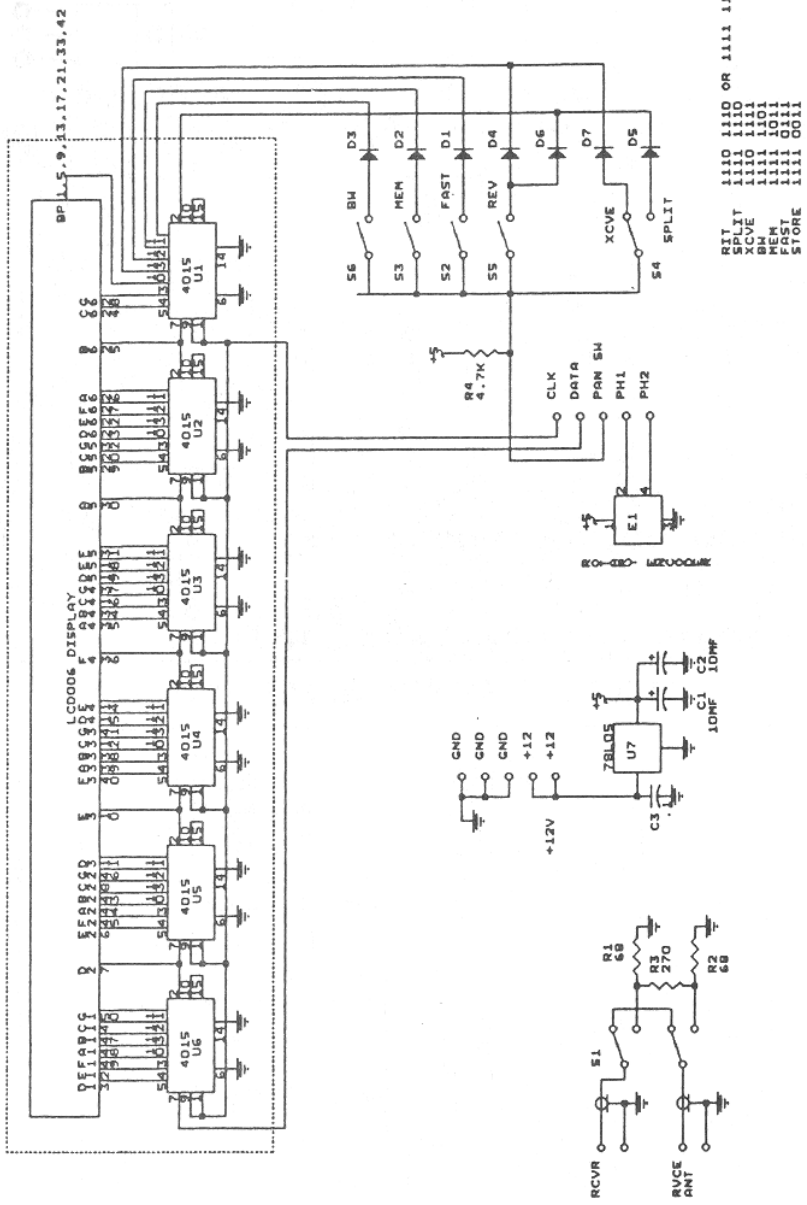


FIGURE 15: QRP-PANEL PCB ASSEMBLY



RIT 1110 1110 OR 1111 1111
 SPLIT 1111 1110
 XCVE 1110 1111
 1110 1111
 MEM 1111 1011
 MEM 1111 1011
 FAST 1111 0111
 STORE 1111 0011

INDEX LABORATORIES	
FILE	OPP-PLUS DISPLAY ASSY
SIZE	Document Number 1.0022
REV	REV
B	REV
DATE	August 31, 1993Sheet 1 of 1

FIGURE 16: QRP-PANEL SCHEMATIC DIAGRAM

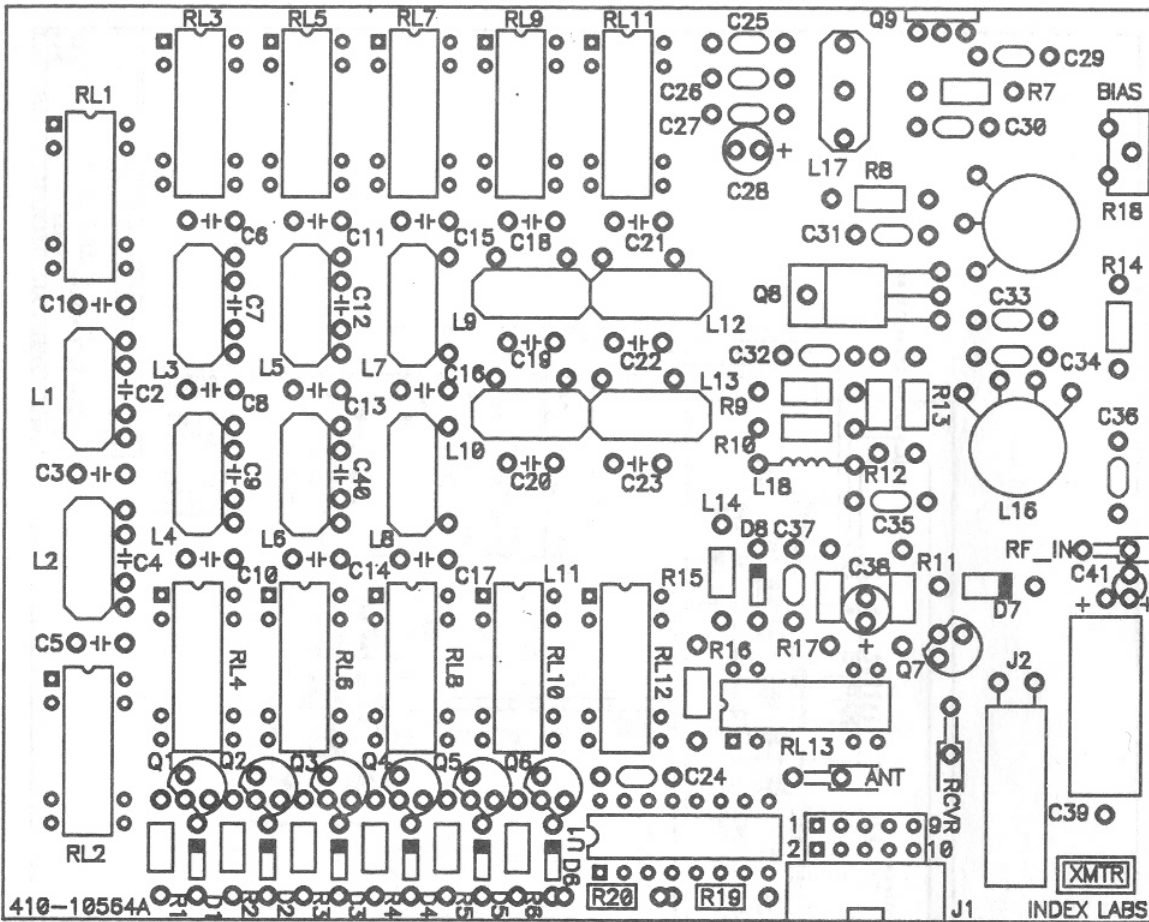


FIGURE 17: QRP-XMTR PCB ASSEMBLY

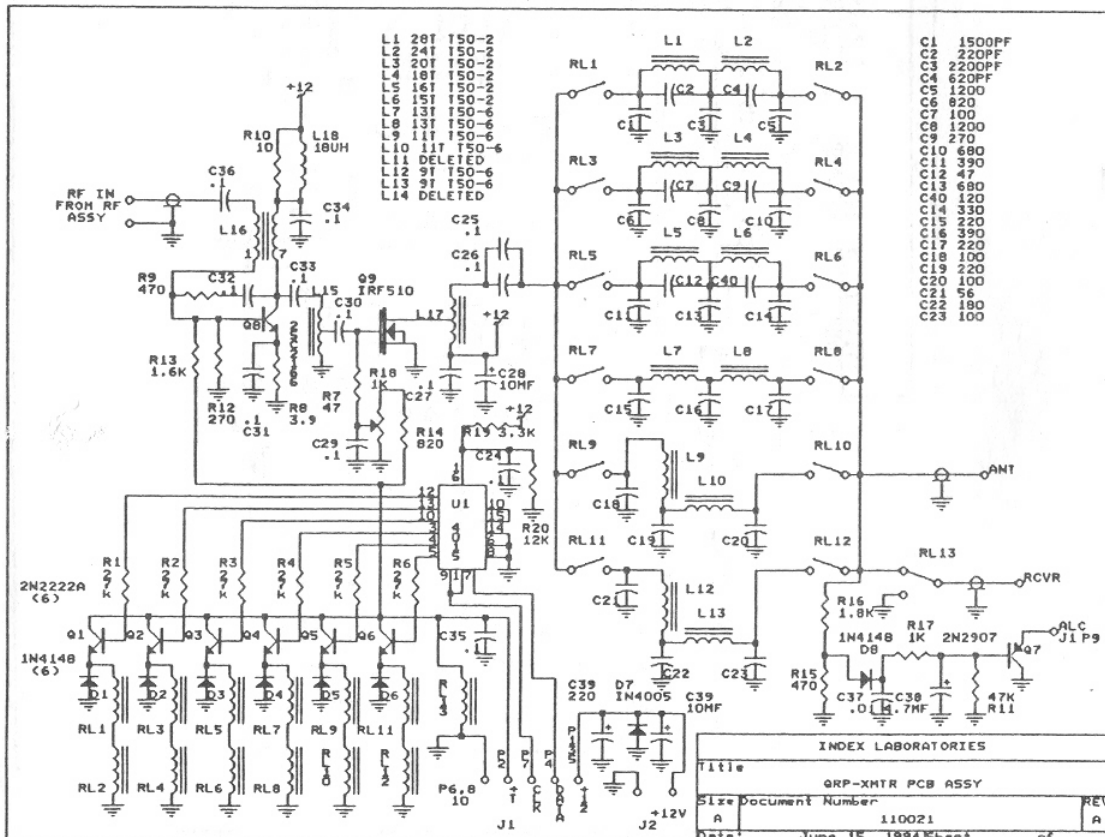


FIGURE 18: QRP-XMTR SCHEMATIC DIAGRAM